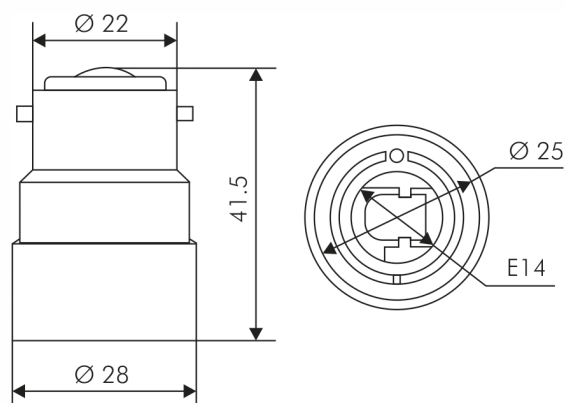


ADAPTATEUR B22-E14 BLANC

TECHNICAL CHARACTERISTICS

Base	B22
Color	No
Kelvin	- K
Input Voltage Max	240 V AC
Beam angle	No°
Certifications	CE, RoHS
Diameter	28mm

3125461584610



1500 2000 2500 3000 3500 4000 4500 5000 5500 6000 6500 7000 7500 8000

